

Applied Optics Fundamentals and Device Applications: Illuminating the World of Light

Unveiling the Essence of Optics

Light, an enigmatic force that has captivated humankind since time immemorial, holds the key to unlocking countless possibilities. Applied optics, a field dedicated to harnessing the power of light, is rapidly transforming various industries, from telecommunications to medicine and manufacturing.

'Applied Optics Fundamentals and Device Applications' serves as an indispensable guide for understanding the principles and applications of this fascinating field. With a comprehensive approach, this book delves into the fundamentals of optical phenomena, enabling readers to grasp the intricate nature of light and its interactions with matter.



Applied Optics Fundamentals and Device Applications: Nano, MOEMS, and Biotechnology

by Mark A. Mentzer

★★★★☆ 4.7 out of 5

Language : English
File size : 10185 KB
Text-to-Speech : Enabled
Screen Reader : Supported
Enhanced typesetting : Enabled
Print length : 368 pages

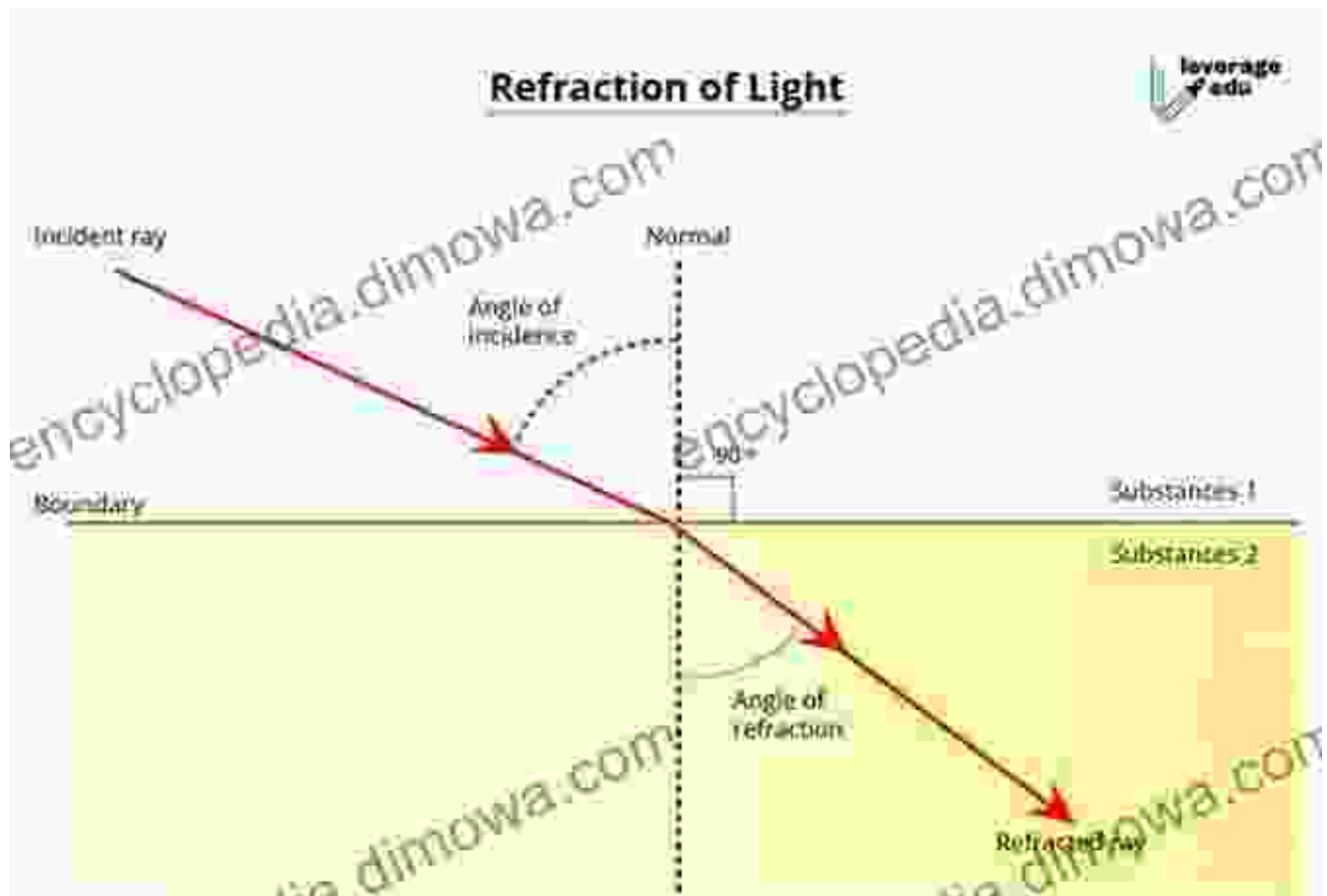
FREE

DOWNLOAD E-BOOK



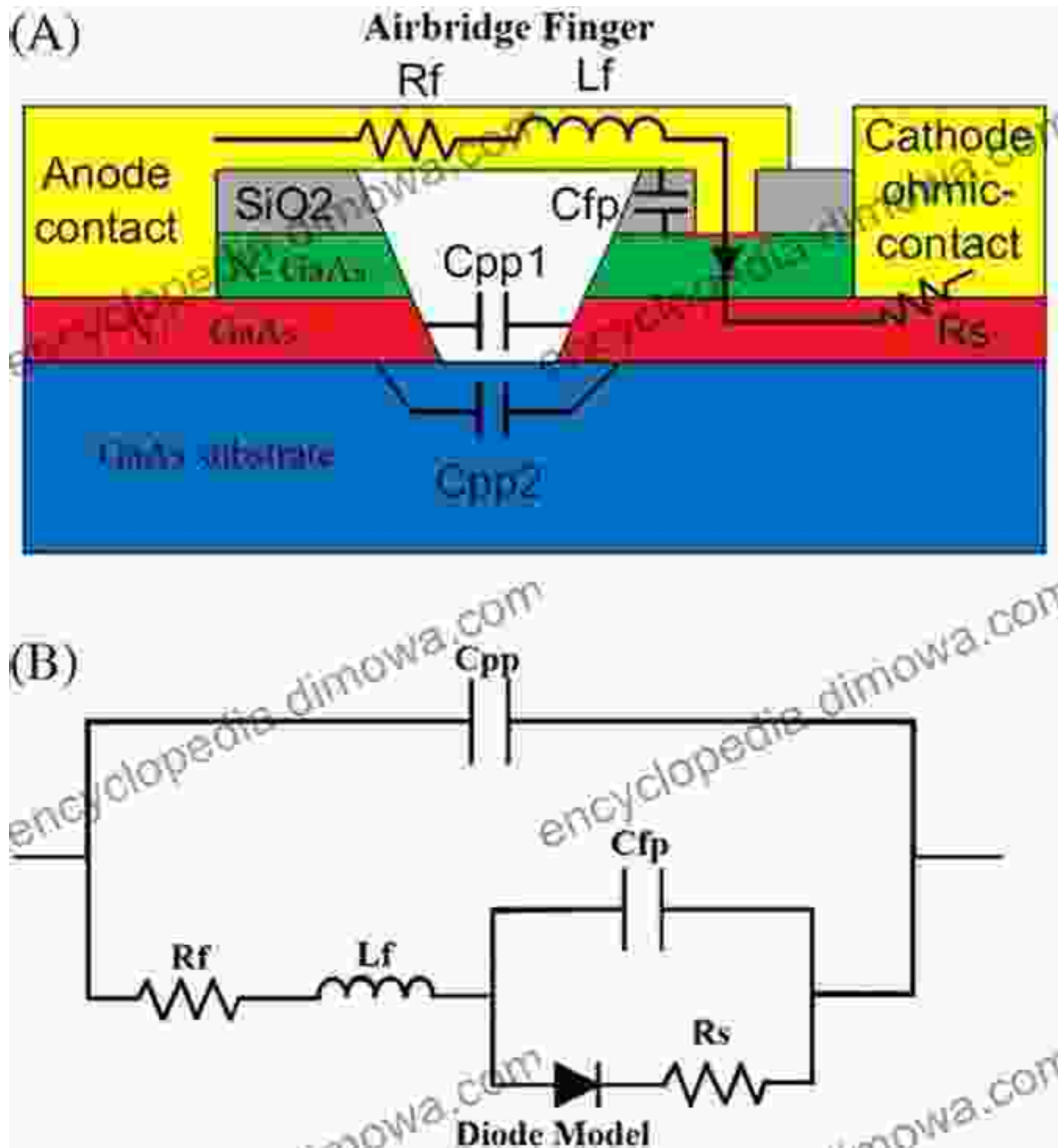
Delving into Optical Phenomena

The book meticulously explores the fundamental principles governing the behavior of light, from its basic properties to its complex interactions with optical systems. Readers will gain a thorough understanding of concepts such as reflection, refraction, diffraction, interference, and polarization.



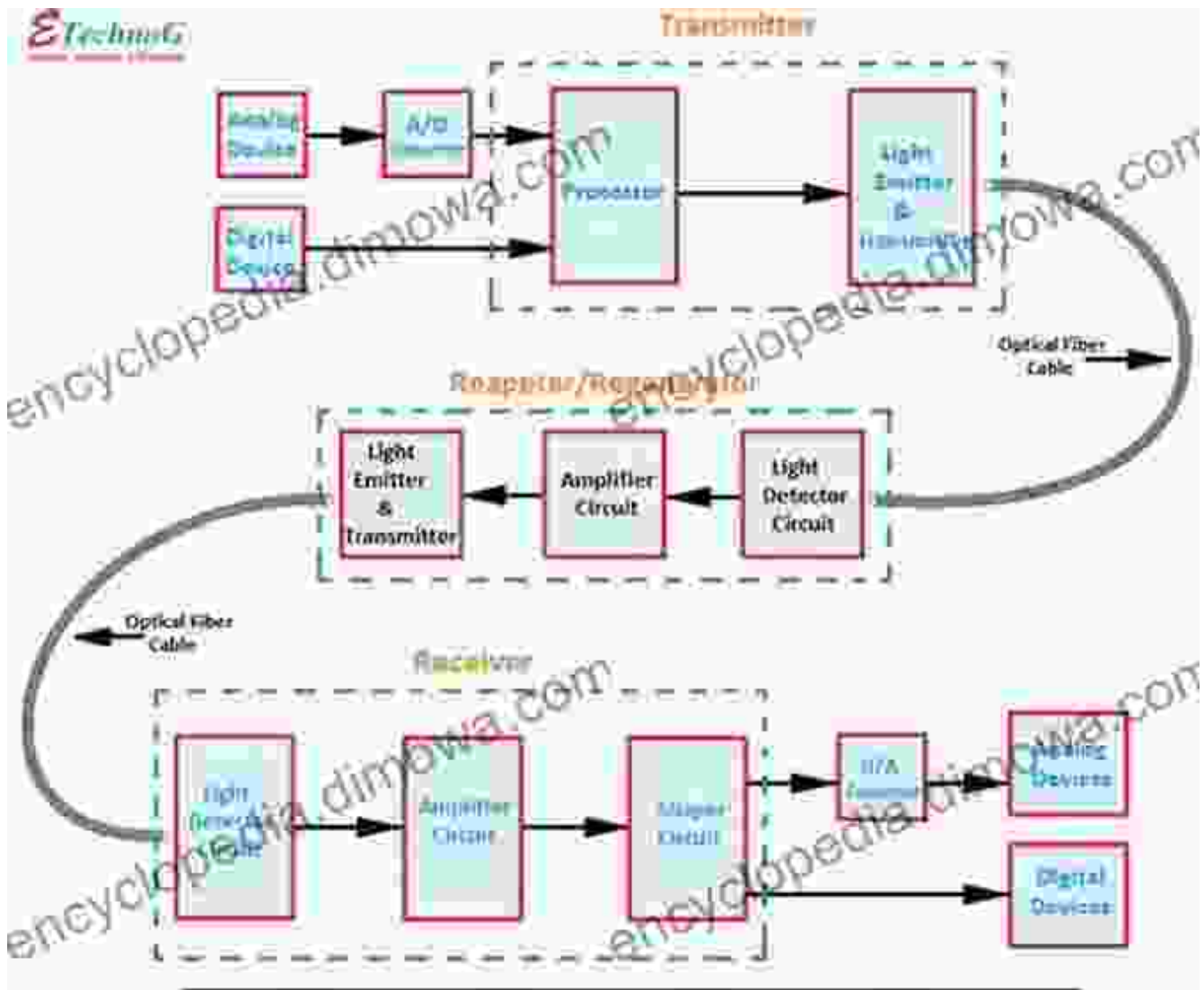
Investigating Optical Devices

Moving beyond theoretical concepts, 'Applied Optics Fundamentals and Device Applications' delves into the realm of practical applications. Readers will delve into the design and operation of cutting-edge optical devices, including lasers, fiber optics, holography systems, and imaging sensors.



Bridging Theory with Practice

The book's strength lies in its ability to bridge the gap between theoretical knowledge and practical applications. Abundant real-world examples, case studies, and problem-solving exercises provide readers with a deep understanding of how optical principles are applied in various fields.



Applications in Diverse Fields

'Applied Optics Fundamentals and Device Applications' extends its reach beyond the confines of academic theory, exploring the practical applications of optics in fields as diverse as:

- Telecommunications: Fiber optic networks, optical amplifiers, and advanced modulation techniques
- Medicine: Laser surgery, optical microscopy, and medical imaging

- Manufacturing: Laser cutting, welding, and precision measurement
- Energy: Solar cells, optical sensors, and energy-efficient lighting
- Imaging and Display: Cameras, projectors, and augmented reality devices

A Treasure Trove for Students and Professionals

Whether you are a student eager to delve into the intricacies of optics or a seasoned professional seeking to expand your knowledge, 'Applied Optics Fundamentals and Device Applications' is the definitive resource. Its comprehensive coverage, clear explanations, and practical insights make it an invaluable companion for anyone interested in the fascinating world of light.



Embark on an illuminating journey into the world of applied optics with 'Applied Optics Fundamentals and Device Applications'. This comprehensive guide unlocks the secrets of light and empowers you with the knowledge to harness its remarkable capabilities. Whether you aspire to excel in your studies or innovate in cutting-edge applications, this book is your essential companion.



Applied Optics Fundamentals and Device Applications: Nano, MOEMS, and Biotechnology

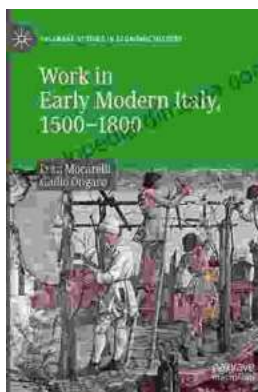
by Mark A. Mentzer

★★★★☆ 4.7 out of 5

Language : English
File size : 10185 KB
Text-to-Speech : Enabled
Screen Reader : Supported
Enhanced typesetting : Enabled
Print length : 368 pages

FREE

DOWNLOAD E-BOOK



Work in Early Modern Italy 1500-1800: A Captivating Exploration of Labor and Economy

: Unraveling the Enigmatic World of Work Embark on an enthralling journey into the intricate world of work in Early Modern Italy, a period spanning from...



Iceland's Most Unusual Museums: A Quirky Guide to the Offbeat and Extraordinary

Iceland is a land of natural wonders, from towering glaciers to geothermal hot springs. But beyond its stunning landscapes, the country also boasts a wealth of unusual museums...