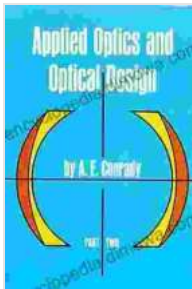


# Unlocking the Mysteries of Light: A Journey into Applied Optics and Optical Design

Prepare to embark on an enlightening voyage into the captivating world of optics with "Applied Optics and Optical Design Part Two" from Dover Publications. This authoritative reference book, written by renowned physicist A. Gerrard and J. M. Burch, provides an unparalleled exploration of the principles and applications of optics, encompassing a wide range of topics from basic concepts to cutting-edge advancements.



## Applied Optics and Optical Design, Part Two (Dover Books on Physics) by A. E. Conrady

★★★★★ 5 out of 5

Language	: English
File size	: 19911 KB
Text-to-Speech	: Enabled
Enhanced typesetting	: Enabled
Word Wise	: Enabled
Lending	: Enabled
Screen Reader	: Supported
Print length	: 352 pages

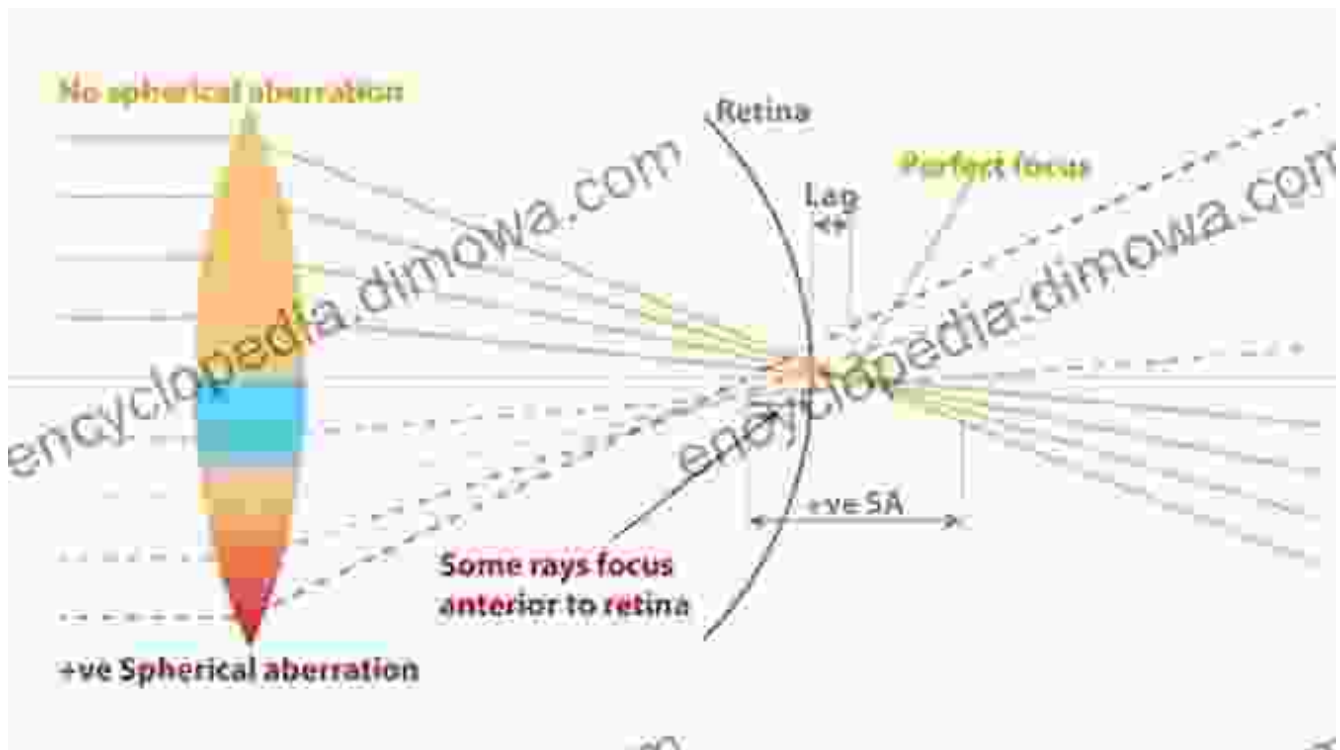


## A Comprehensive Guide to the Science of Light

Delve into the very nature of light and its interactions with various materials and surfaces. "Applied Optics and Optical Design Part Two" delves into the fundamental principles of geometrical and physical optics, covering topics such as:

- Refraction and reflection of light waves
- Lens aberrations and their correction
- Diffraction and interference phenomena

li>Polarization of light



With over 1,000 expertly crafted illustrations and diagrams, this book brings complex concepts to life, making them accessible to readers of all levels.

## Practical Applications in Optics

Move beyond theoretical knowledge and discover the practical applications of optics in various fields. "Applied Optics and Optical Design Part Two" explores the design and use of optical instruments, including:

- Microscopes

- Telescopes
- Cameras
- Lasers

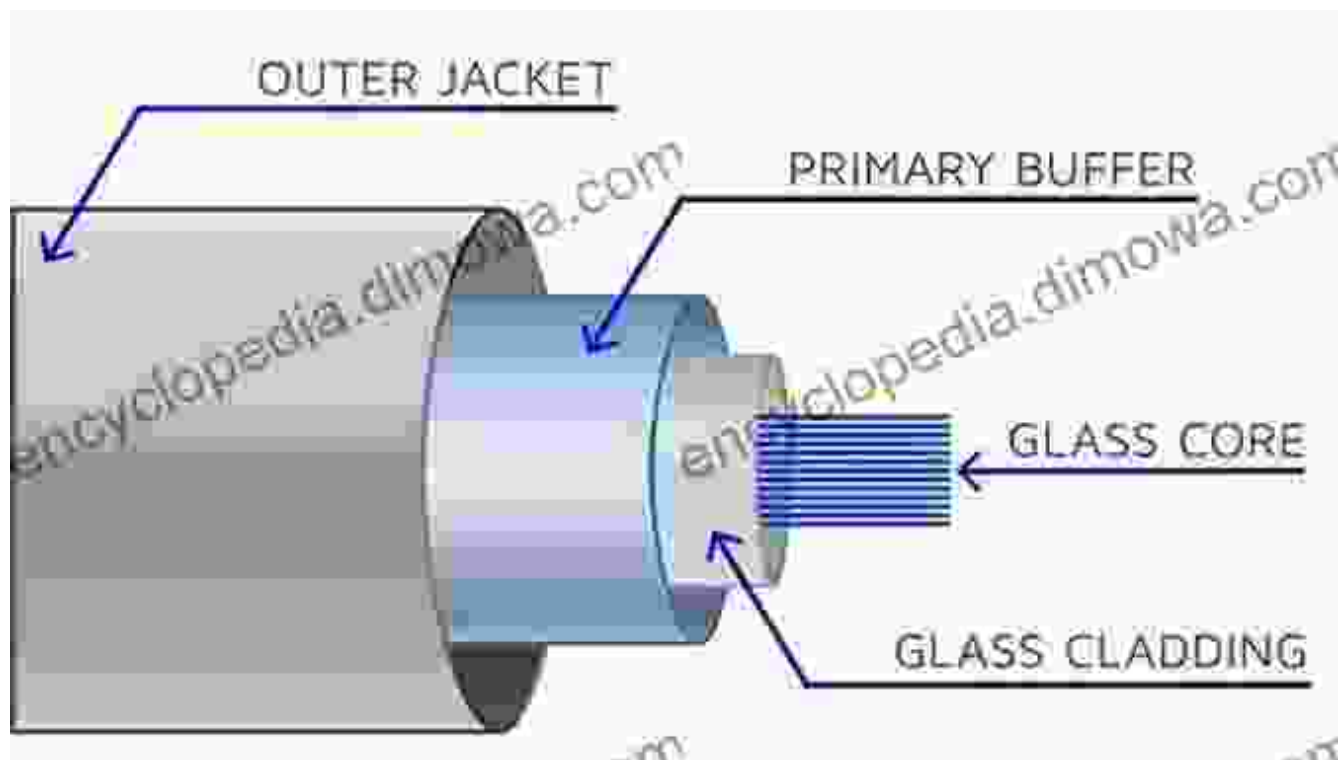


Learn about the principles behind these instruments and how they are used in scientific research, medical imaging, and everyday life.

## Advanced Topics for Specialized Knowledge

For those seeking a deeper understanding of optics, "Applied Optics and Optical Design Part Two" offers advanced chapters on specialized topics such as:

- Fourier optics
- Holography
- Non-linear optics
- Fiber optics



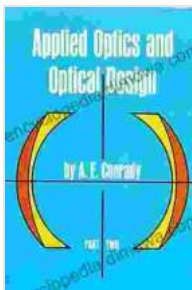
These chapters provide in-depth insights into cutting-edge research and applications.

**A Valuable Resource for Students and Professionals**

Whether you're a student seeking a comprehensive textbook or a professional seeking an authoritative reference, "Applied Optics and Optical Design Part Two" is an invaluable resource. Its clear explanations, practical examples, and extensive illustrations make it an indispensable guide for anyone interested in optics.

Free Download your copy today from Dover Publications and embark on a journey to unravel the mysteries of light and unlock the wonders of optical design.

Free Download "Applied Optics and Optical Design Part Two" from Dover Publications



## Applied Optics and Optical Design, Part Two (Dover Books on Physics) by A. E. Conrady

★★★★★ 5 out of 5

Language : English  
File size : 19911 KB  
Text-to-Speech : Enabled  
Enhanced typesetting : Enabled  
Word Wise : Enabled  
Lending : Enabled  
Screen Reader : Supported  
Print length : 352 pages





## Work in Early Modern Italy 1500-1800: A Captivating Exploration of Labor and Economy

: Unraveling the Enigmatic World of Work Embark on an enthralling journey into the intricate world of work in Early Modern Italy, a period spanning from...



## Iceland's Most Unusual Museums: A Quirky Guide to the Offbeat and Extraordinary

Iceland is a land of natural wonders, from towering glaciers to geothermal hot springs. But beyond its stunning landscapes, the country also boasts a wealth of unusual museums...